

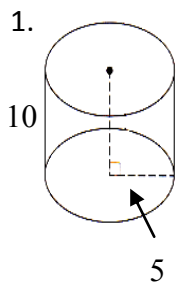
Geometry

11-4 worksheet

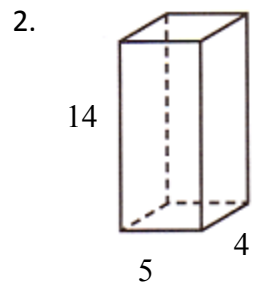
Find the volume of each figure.

SHOW WORK

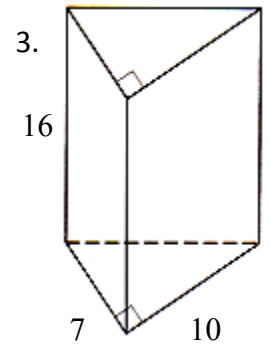
Name: \_\_\_\_\_



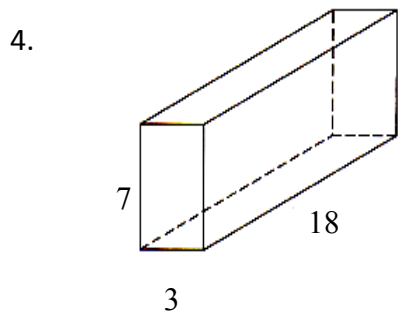
V = \_\_\_\_\_



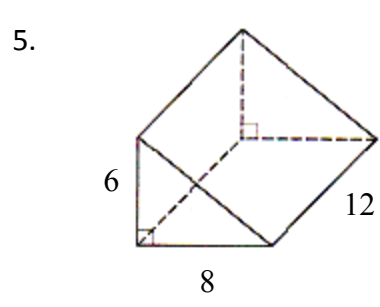
V = \_\_\_\_\_



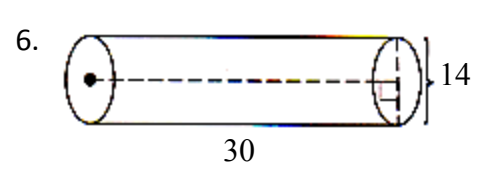
V = \_\_\_\_\_



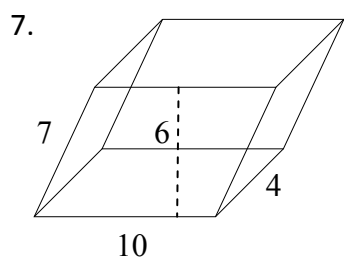
V = \_\_\_\_\_



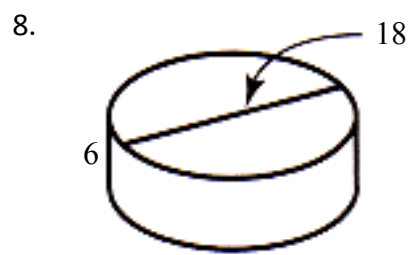
V = \_\_\_\_\_



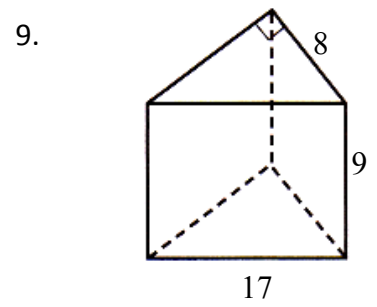
V = \_\_\_\_\_



V = \_\_\_\_\_



V = \_\_\_\_\_



V = \_\_\_\_\_

