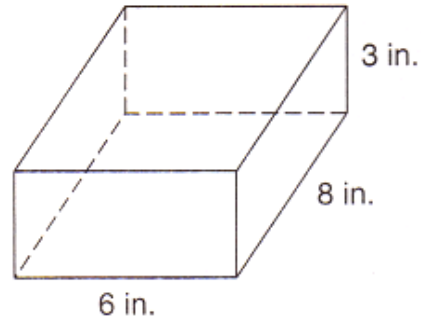
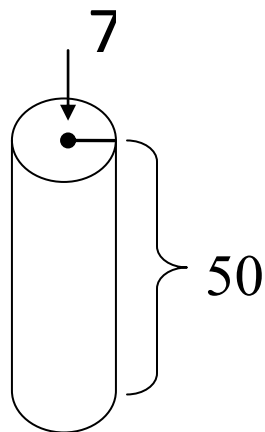


1.) Find the Surface Area (S.A.) of the rectangular prism below:



2.) Find the Surface Area (S.A.) of the cylinder below. Leave π symbol in your answer:



3.) Find the total Surface Area (S.A.) of the triangular prism below:

