

Arc Length-Sector Area

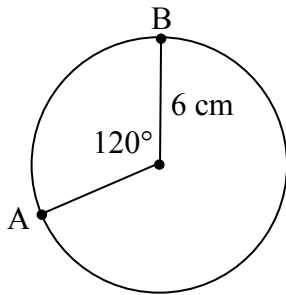
Name: _____

Wells Worksheet (W2)

Date: _____

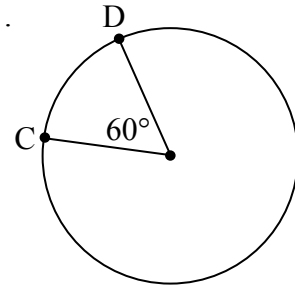
Block: _____

1. Find the length of arc AB .



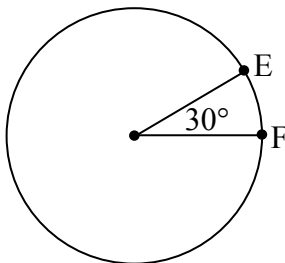
Arc: _____

2. The diameter is 24 cm . Find the length of arc CD .



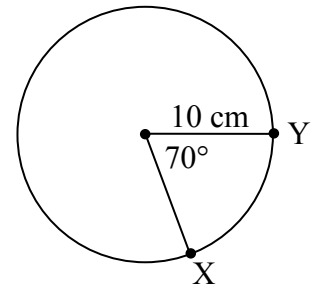
Arc: _____

3. The length of arc EF is 5π in. Find the length of the radius.



Radius: _____

4. Find the length of arc XY .



Arc: _____

5. A circle has an arc whose measure is 80° and whose length is 88π . What is the diameter of the circle?

6. A circle has a circumference whose length is 25π . Find the length of an arc whose central angle is 90° .

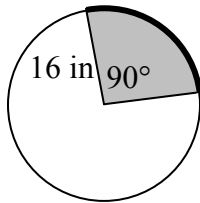
7. Find the measure of the central angle of an arc if its length is 14π and the radius is 18 .

Arc Length-Sector Area

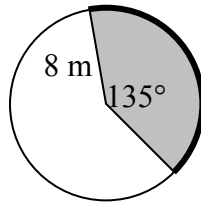
Name: _____

8. Calculate the sector area:

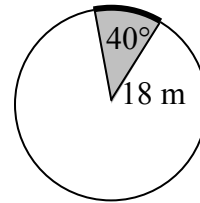
a.



b.



c.



9. The area of a circle is 225π square inches. Find the area of the sector whose central angle is 45° .

10. The central angle of a sector is 60° and the area of the circle is 144π . What is the area of the sector?

11. A circle has a radius of 12. Find the area of the sector whose central angle is 120° .

12. Find the radius of a circle which has a sector area of 9π whose central angle is 90° .

13. The central angle of a sector is 72° and the sector has an area of 5π . Find the radius.

14. Find the measure of the central angle of a sector if its area is 5π and the radius is 6.

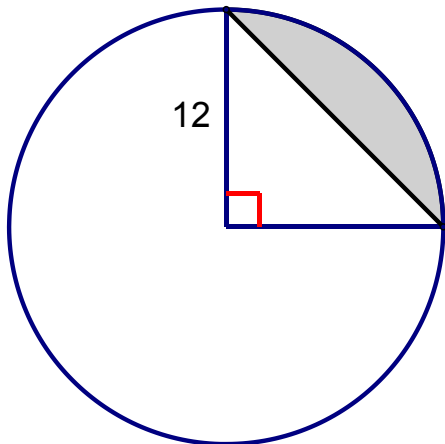
Arc Length-Sector Area

Name: _____

For each figure below, find the area, expressed in the approximate value (rounded to hundredths).

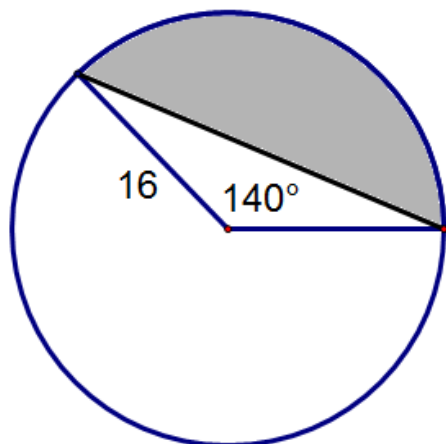
1.

Solution Strategy and Calculations:



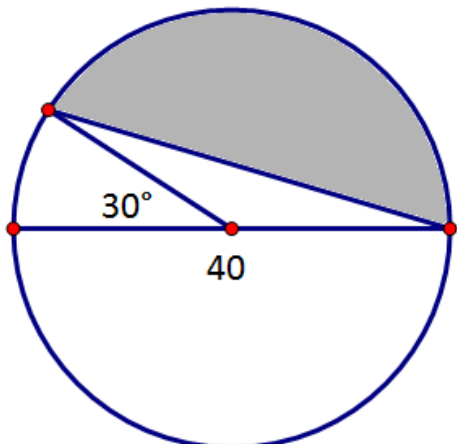
2.

Solution Strategy and Calculations:



3.

Solution Strategy and Calculations:

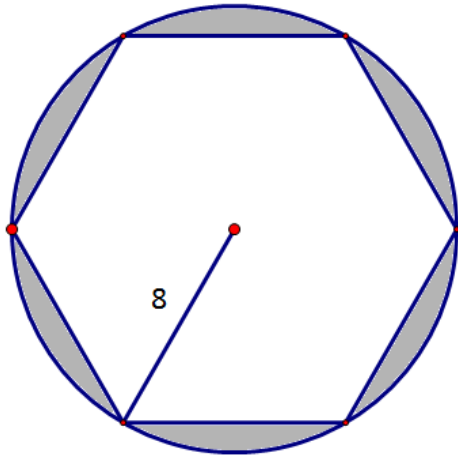


Arc Length-Sector Area

Name: _____

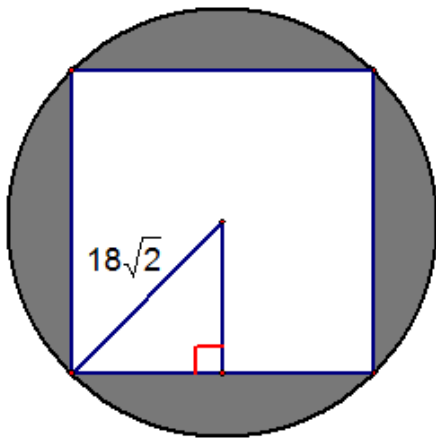
4.

Solution Strategy and Calculations:



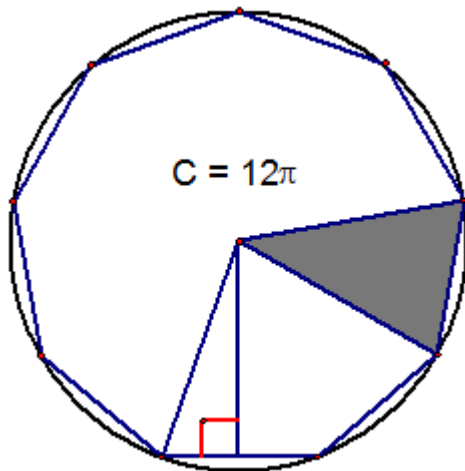
5.

Solution Strategy and Calculations:



6.

Solution Strategy and Calculations:



Arc Length-Sector Area

Name: _____
